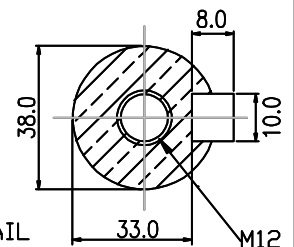
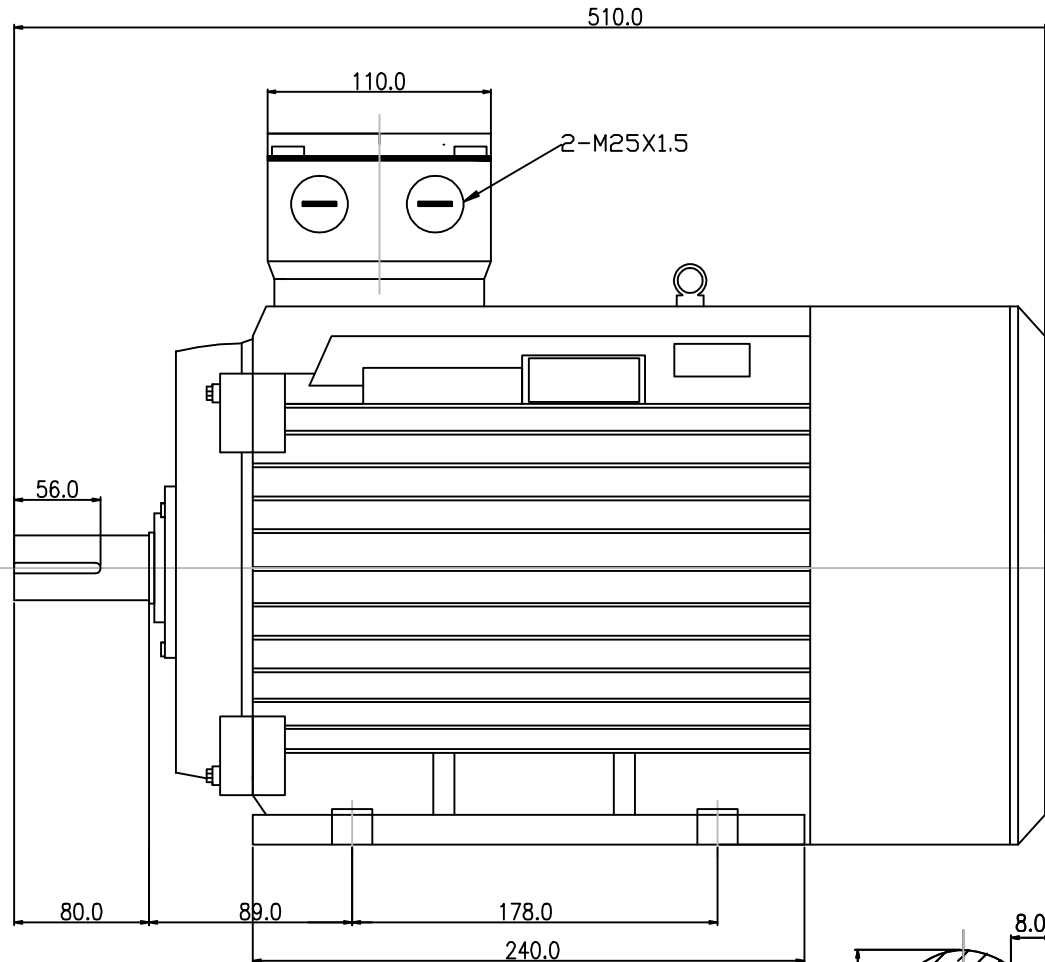
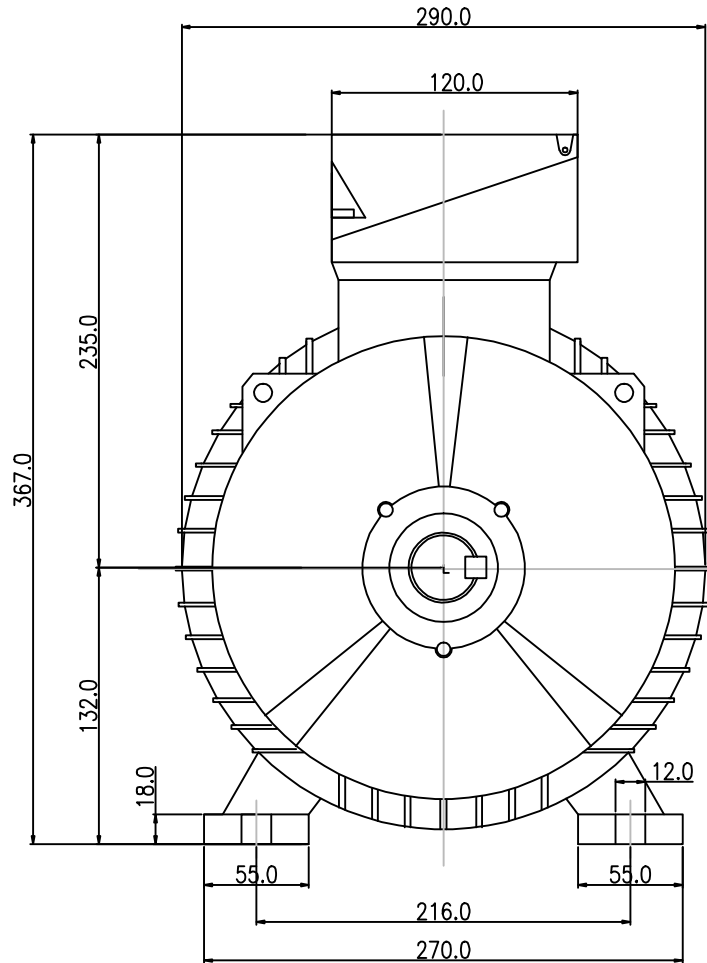


DRG.NO

EF132M-B3

FRAME

EF132M



SHAFT DETAIL



59 PEEL ROAD
O'CONNOR WA 6163
Ph: (08) 9314 7666
Fax: (08) 9337 2505
www.ems-perth.com

PROJECTION 	DRAFTING STANDARD AS 1100	SIZE A4
ALL DIMENSIONS ARE IN mm UNLESS OTHERWISE SPECIFIED TOL. 1 PLACE DECIMAL ± 0.25 ANGLE ± 0.30° 2 PLACE DECIMAL ± 0.13		
MATL	SPEC	

TITLE THREE PHASE INDUCTION MOTORS-TOP TERMINAL BOX (FOOT MOUNT B3 EF132M)			
DRN	NL	DATE	4.12.08
CHK		APPD	
SCALE	NTS		

DESCRIPTIONS

BRAND	REM X	
DRG NO	EF132M-B3	REV
CODE No.		