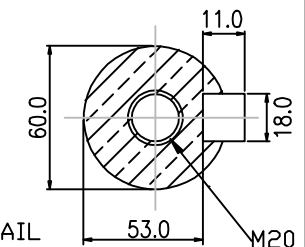
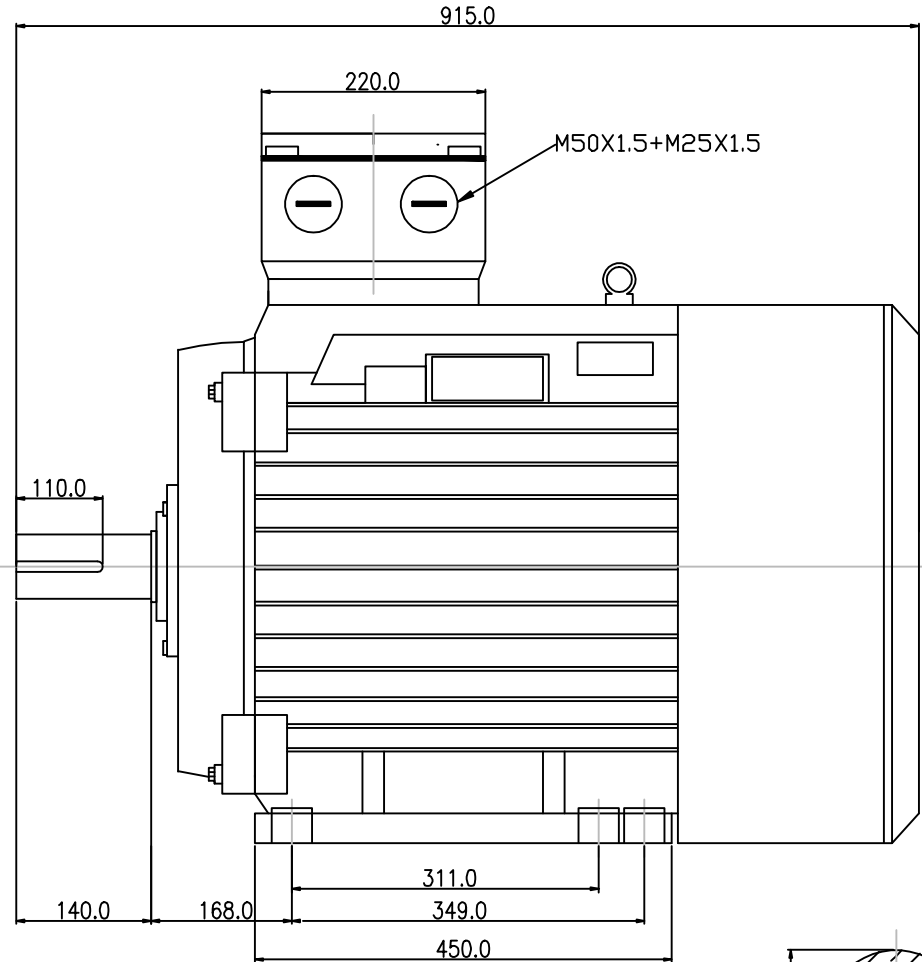
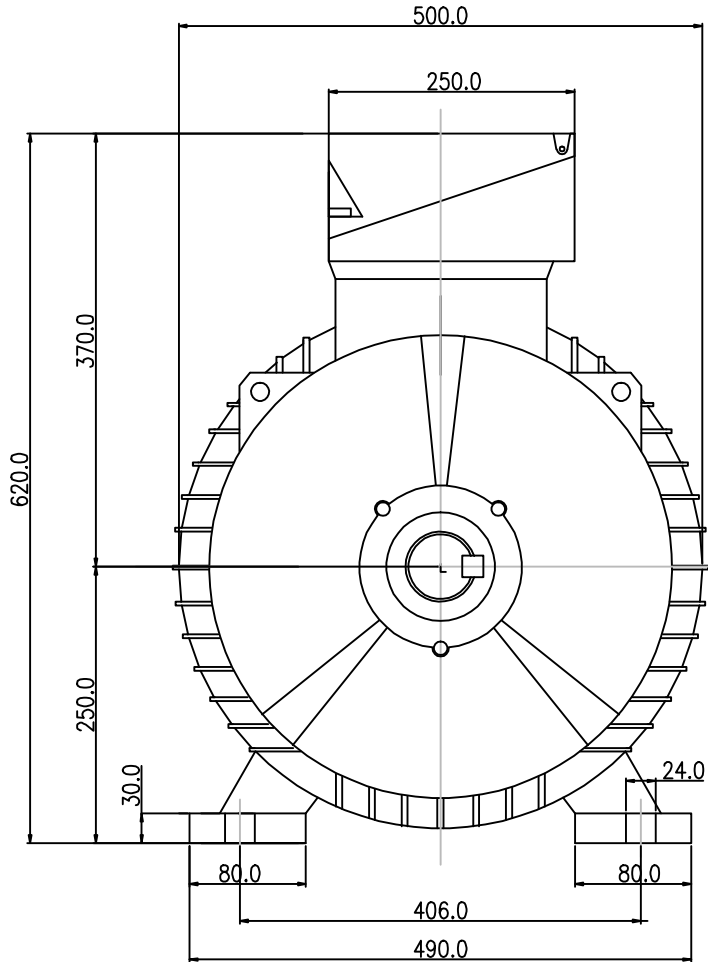


DRG.NO

EF250SM-2-B3

FRAME

EF250SM-2



SHAFT DETAIL



59 PEEL ROAD  
O'CONNOR WA 6163  
Ph: (08) 9314 7666  
Fax: (08) 9337 2505  
www.ems-perth.com



DRAFTING  
STANDARD  
AS 1100

SIZE  
A4

ALL DIMENSIONS ARE IN mm  
UNLESS OTHERWISE SPECIFIED  
TOL. 1 PLACE DECIMAL  $\pm 0.25$  ANGLE  $\pm 0.30^\circ$   
2 PLACE DECIMAL  $\pm 0.13$

MATL

SPEC

TITLE

THREE PHASE INDUCTION MOTORS-TOP TERMINAL BOX  
(FOOT MOUNT B3 EF250SM-2)

DRN

NL

DATE

8.12.08

CHK

APPD

SCALE

NTS

DESCRIPTIONS

SHAFT TYPE EF250-2

BRAND

**REM X**

DRG  
NO

EF250SM-2-B3

REV

CODE No.