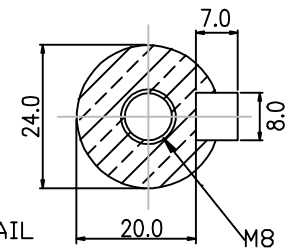
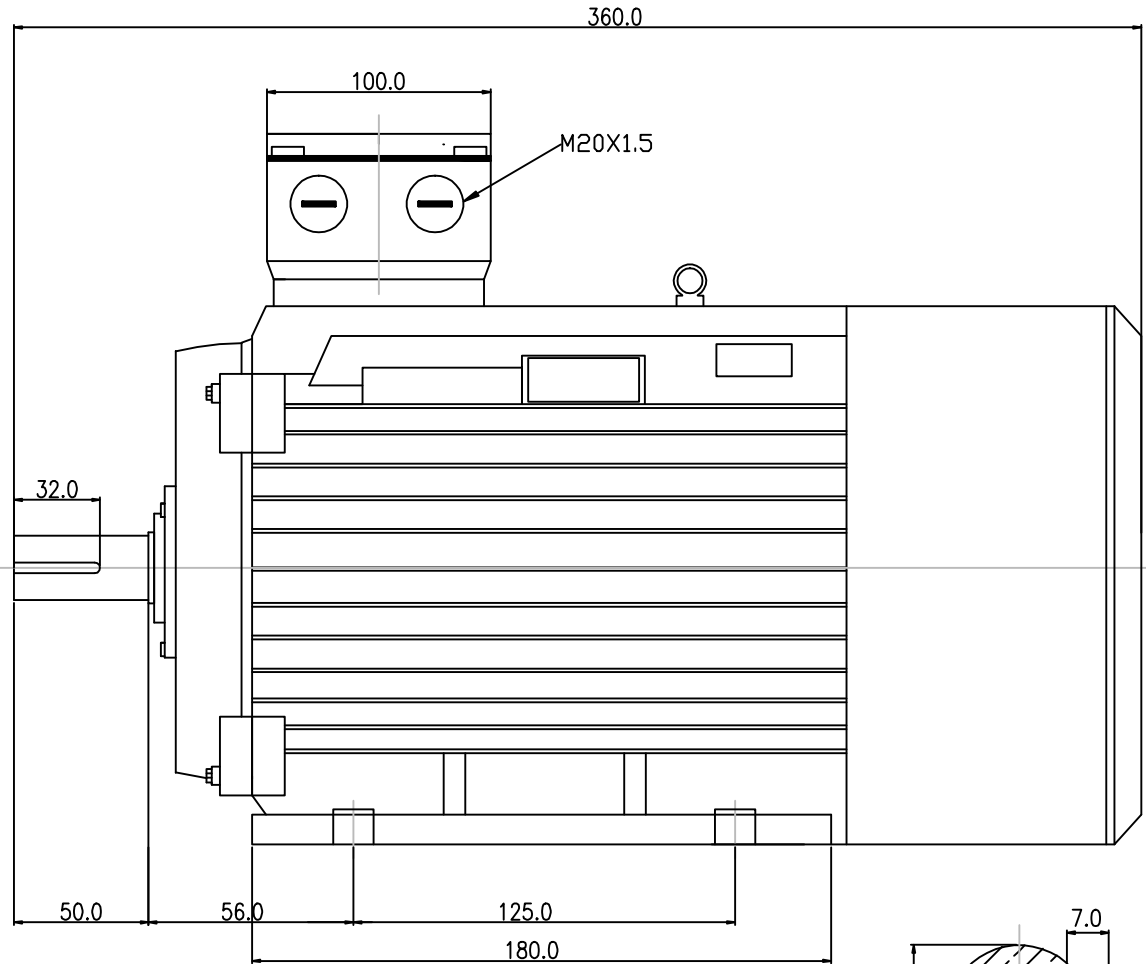
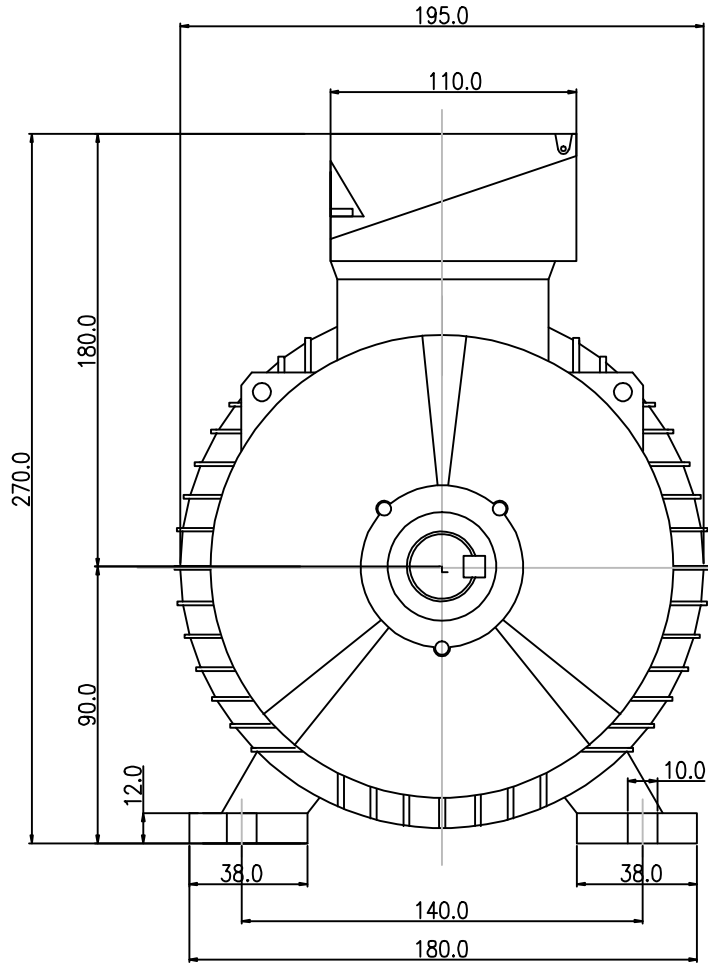


DRG.NO

EF90L-B3

FRAME

EF90L



SHAFT DETAIL



59 PEEL ROAD
O'CONNOR WA 6163
Ph: (08) 9314 7666
Fax: (08) 9337 2505
www.ems-perth.com



DRAFTING
STANDARD
AS 1100

SIZE
A4

ALL DIMENSIONS ARE IN mm
UNLESS OTHERWISE SPECIFIED
TOL. 1 PLACE DECIMAL ± 0.25 ANGLE $\pm 0.30^\circ$
2 PLACE DECIMAL ± 0.13

TITLE
THREE PHASE INDUCTION MOTORS-TOP TERMINAL BOX
(FOOT MOUNT B3 EF90L)

DESCRIPTIONS

MATL SPEC

| | | | |
|-------|-----|------|---------|
| DRN | NL | DATE | 5.12.08 |
| CHK | | APPD | |
| SCALE | NTS | | |

BRAND

REM X

DRG NO

EF90L-B3

REV

CODE No.